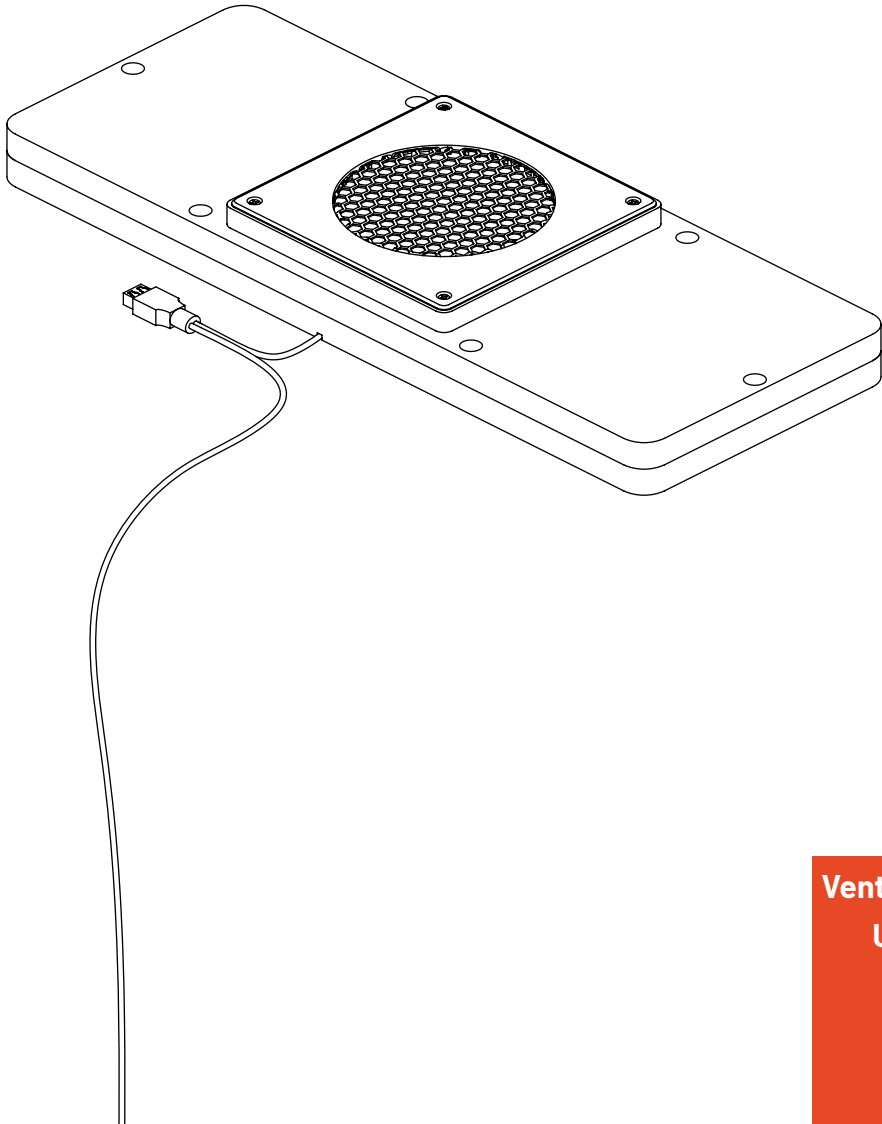




# VicBooth **Ultra**

Installation Manual

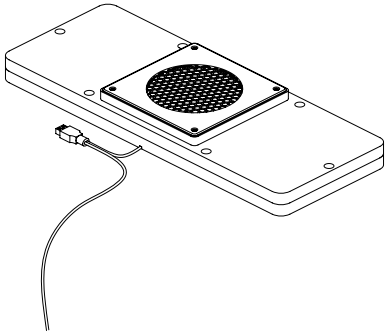
V/COUSTIC



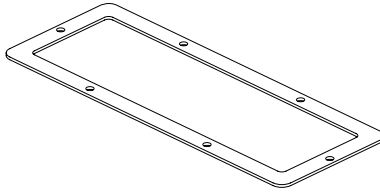
**Ventilation  
Unit**

## Material Needed

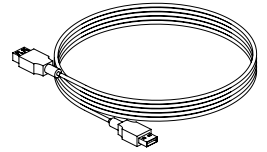
### Included



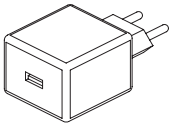
Ventilation unit | 1 uni.



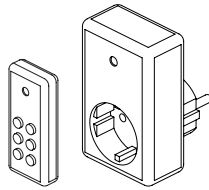
Insulation Seal | 1 uni.



USB extension cable (3m) | 1 uni.



USB power adapter | 1 uni.

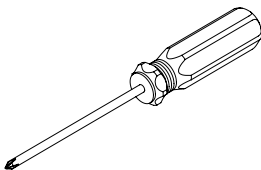


Remote control electrical outlet | 1 uni.



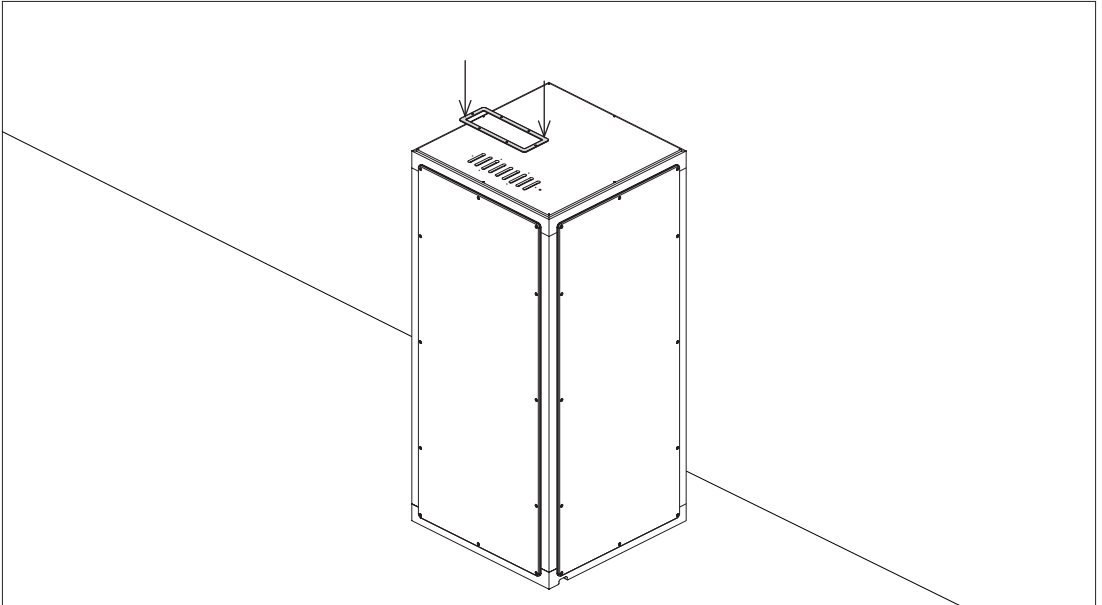
Fixing screws | 6 uni.

### Not included

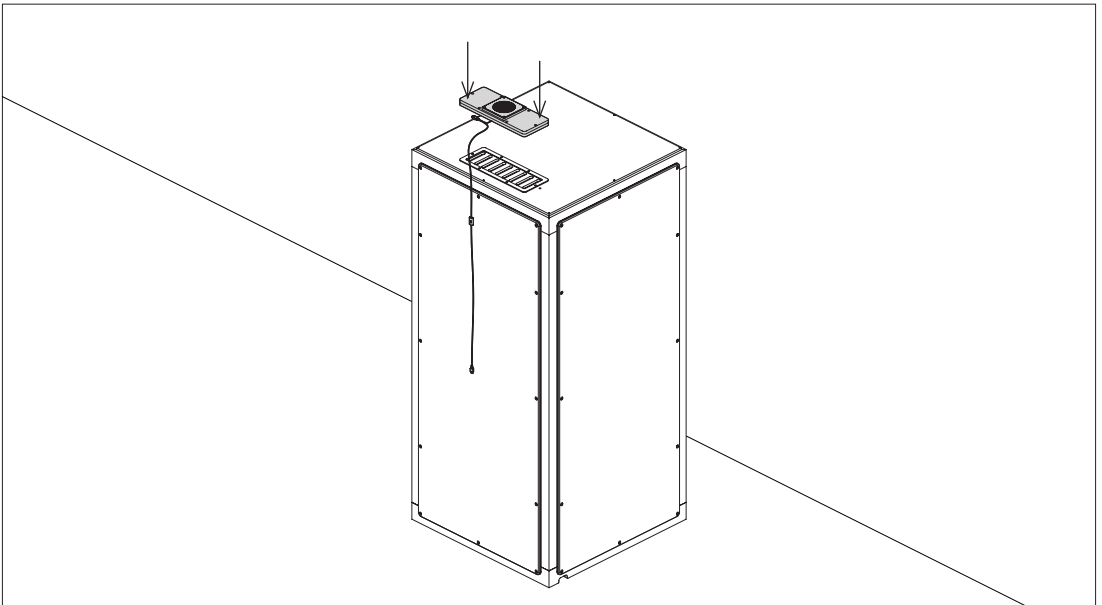


6mm Phillips Screwdriver

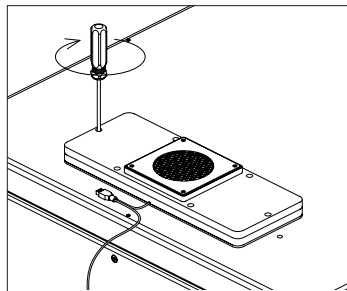
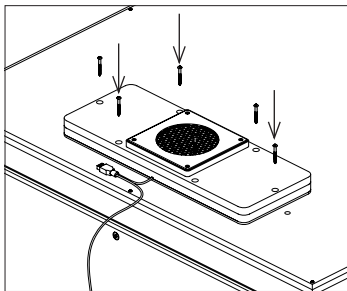
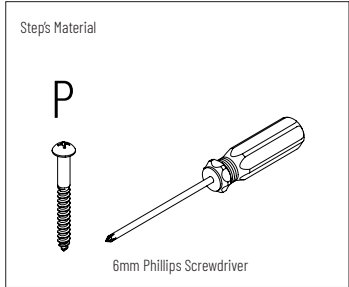
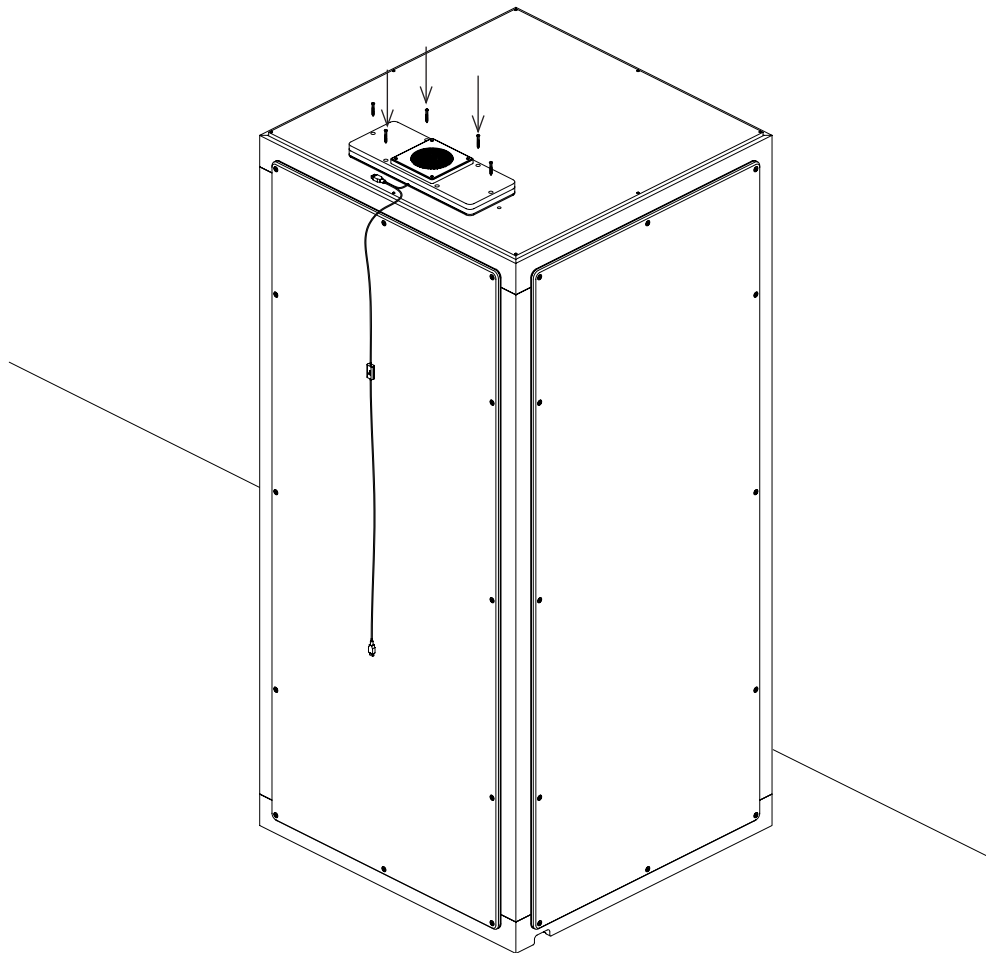
1 Start by placing the Insulation seal on the ceiling of the VicBooth Ultra.



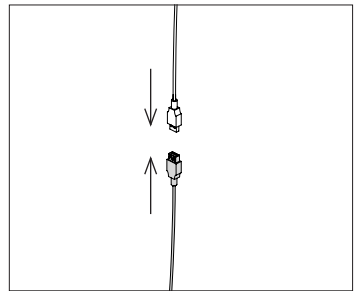
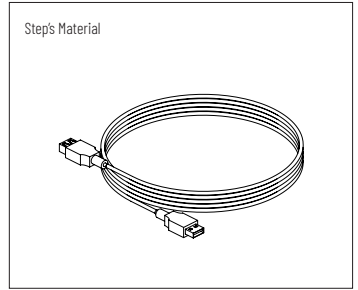
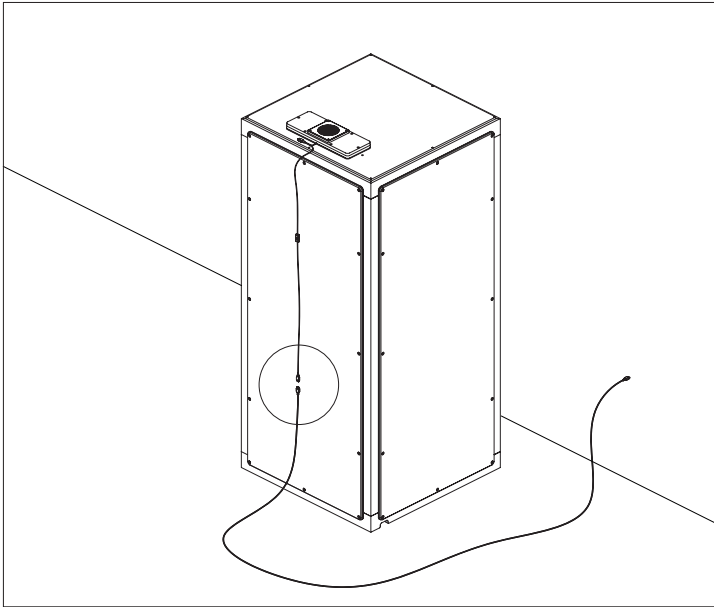
2 Place the Ventilation unit aligned with the Insulation seal and the fixing holes.



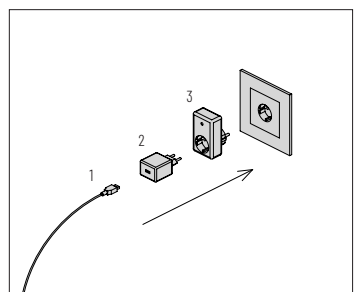
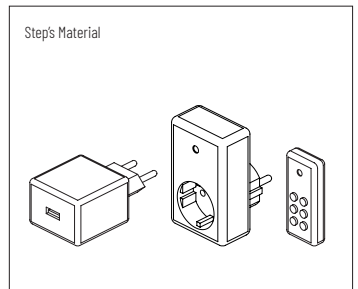
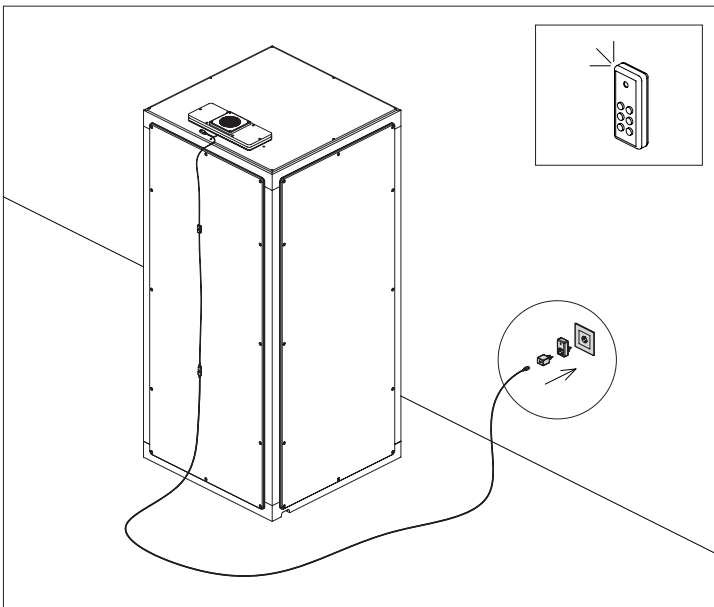
3 Fix the Ventilation unit using the included screws (P) and a 6mm Phillips Screwdriver.



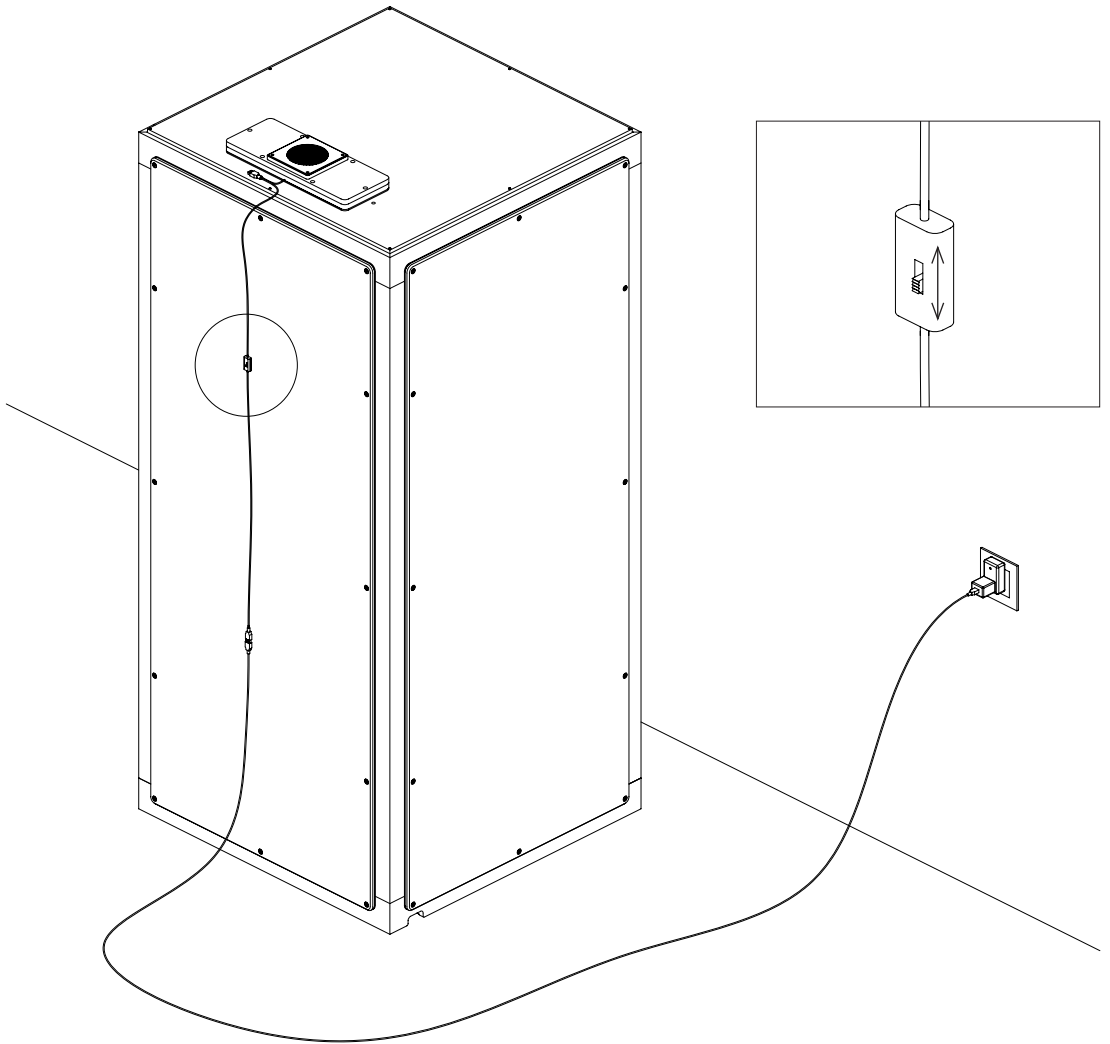
**4** Connect the included USB extension.



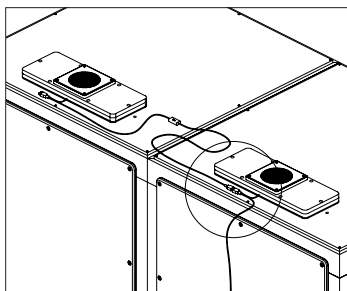
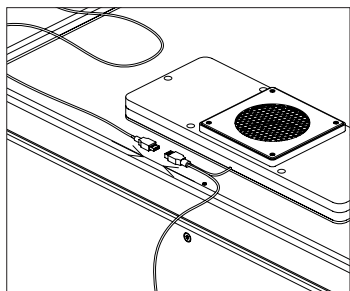
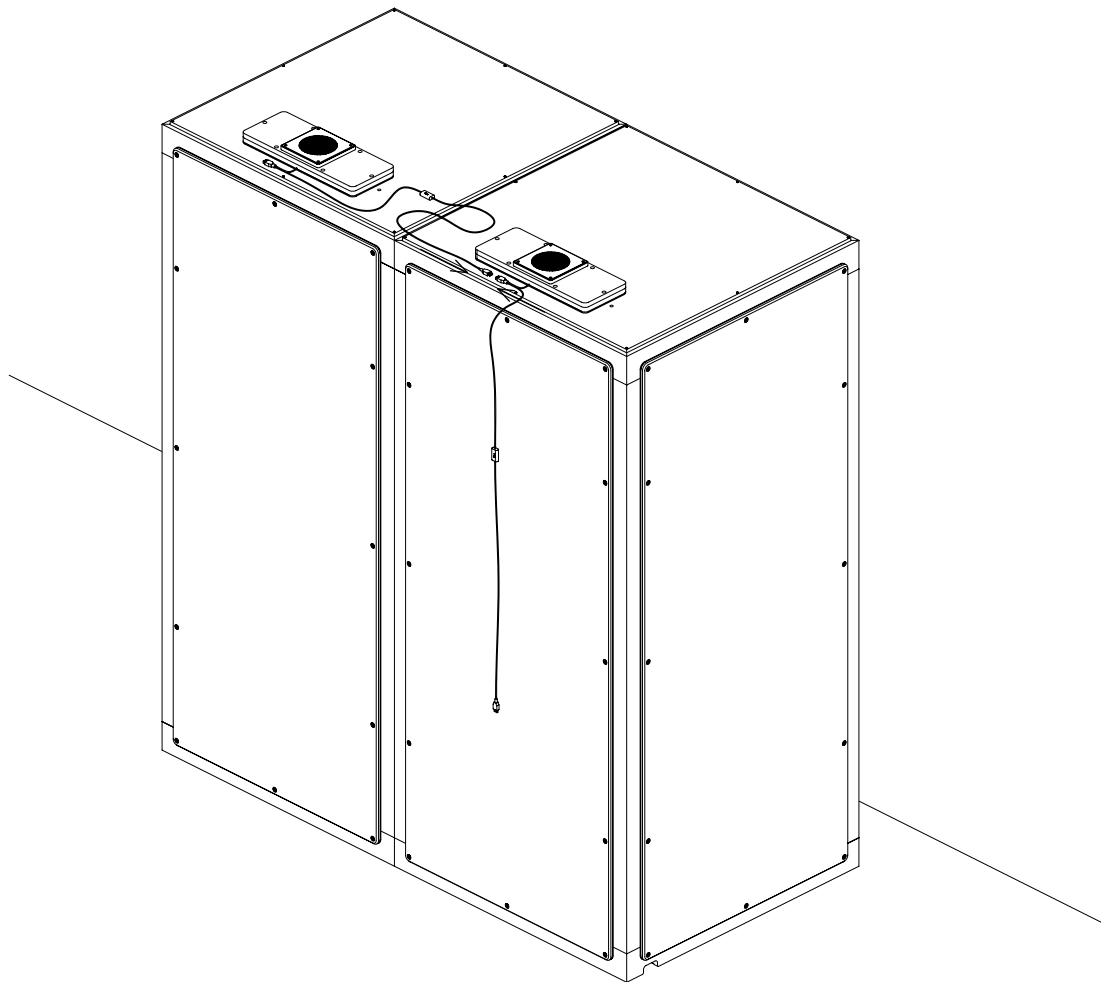
**5** Connect the Remote Control Electrical Outlet and the USB power adapter to a wall socket.  
You can switch the fan ON and OFF from inside the cabin using the remote control.



! We recommend that the speed controller should be set to the maximum speed (H).



- 6 Multiple ventilation units can be connected in series using the included USB connection. We recommend connecting up to 3 units using the same USB power adapter.





**Main Office, R&D & Logistics**

Avenida do Pólo 3, N.º 159, Carvalhosa  
4590-137 Paços de Ferreira, Portugal

**Office**

Rua Quinta do Bom Retiro N.º 16, Armazém 9  
2820-690 Charneca da Caparica, Portugal  
T (+351) 212 964 100

**Info and Sales**

E [sales@vicoustic.com](mailto:sales@vicoustic.com)

[www.vicoustic.com](http://www.vicoustic.com)

© Vicoustic, 2020 | V2

No parts of this document might be copied and/or  
published without written consent of Vicoustic.